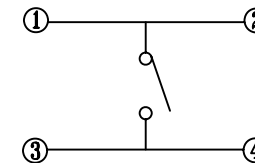
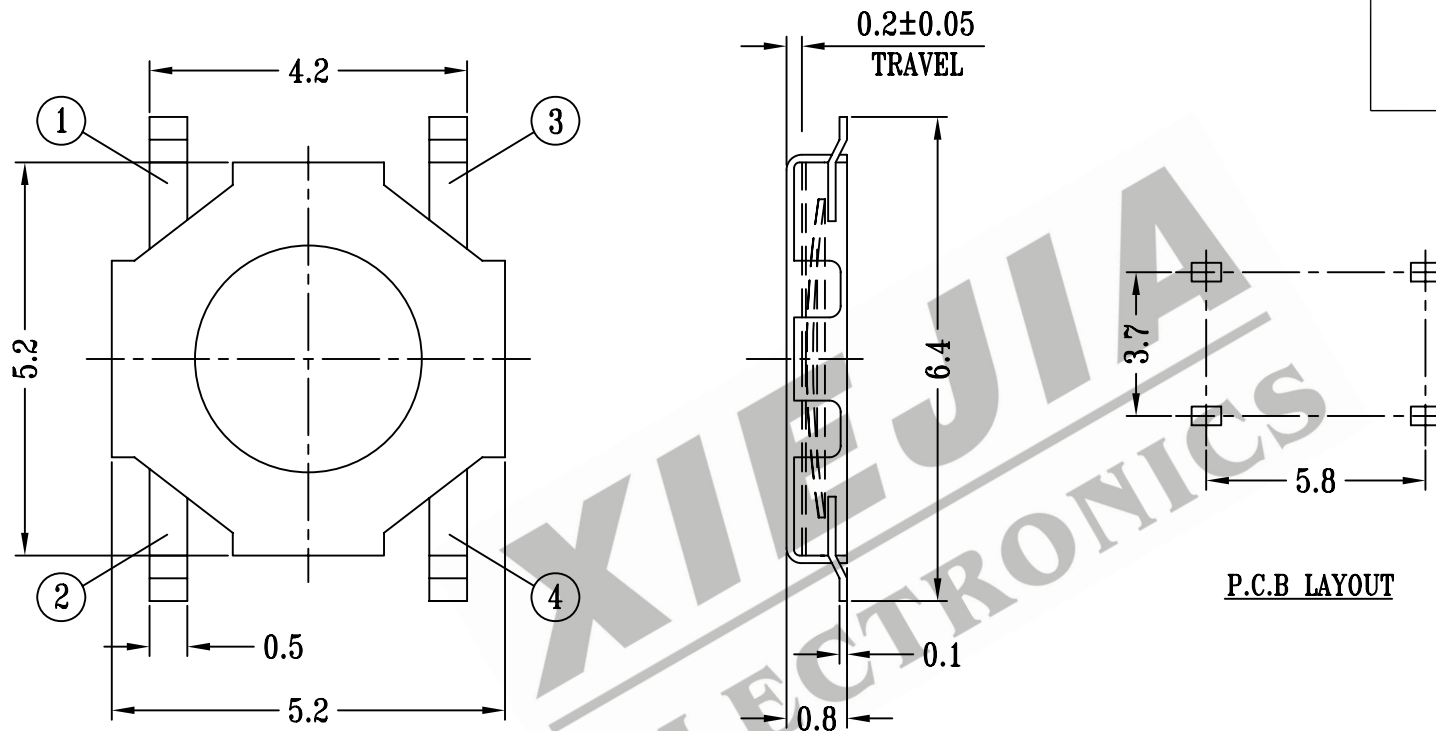


CAD FILE:



CIRCUIT DIAGRAM



P.C.B LAYOUT

OPERATING FORCE	CODE
160gf	X
250gf	Z

					TOLERANCE UNLESS SPECIFIED		SHENZHEN XIEJIA ELECTRONICS CO.,LTD.				
					WITHIN: 1.5±0.1mm OVER: 1.5±0.2mm		ISSUE	DATE	DESCRIPTIONS		APPD
8											
7											
6											
5											
4	SEAL PLATE	PET	1	YELLOW	TITLE: TACT SWITCH			UNIT : MM	DRWG NO.: XJ-DR-TD14XA-00		
3	COVER	0.1mm SUS	1	WASHING	MODEL: TD-14XA			SCALE:10 : 1	DWN	ZHOUYU	2003-9-17
2	CONTACT	0.06mm SUS	1	Ag CLAD	ALL MATERIALS MUST BE COMPLIANT TO ROHS				CHK'D	FANGYING	2003-9-17
1	CASE	NYLON/0.1mm BRASS STRIP	1	BLACK					APPD	KANGXINAN	2003-9-17
NO.	PART NAME	MATERIAL	QTY	FINISHING							